

COBRA NF 0750/0950 A

Dry screw vacuum pump



VACUUM SOLUTIONS



High performance for vacuum packaging

Specially designed for vacuum packaging, optimized for fast packaging cycles, advanced screw design, best-in-class pumping speed

Easy cleaning

The only dry screw vacuum pump series designed for daily wash-down in vacuum packaging, can be cleaned using steam jets and conventional detergents, smooth surface design, no dead water zones, no additional enclosure required

Efficient

Variable speed drive, minimal maintenance, long service intervals, efficient water cooling, low cost of ownership

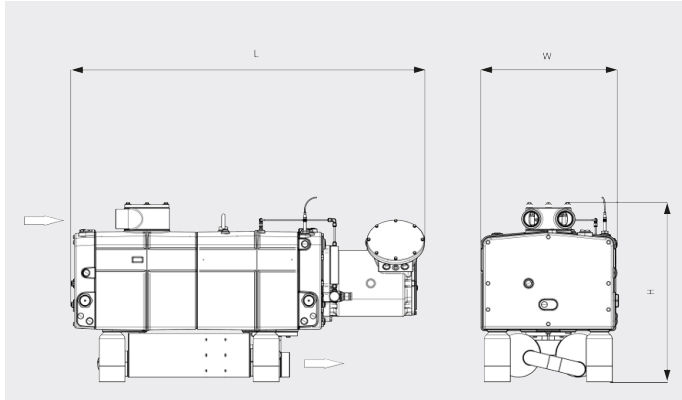
COBRA NF 0750/0950 A

Dry screw vacuum pump



VACUUM SOLUTIONS

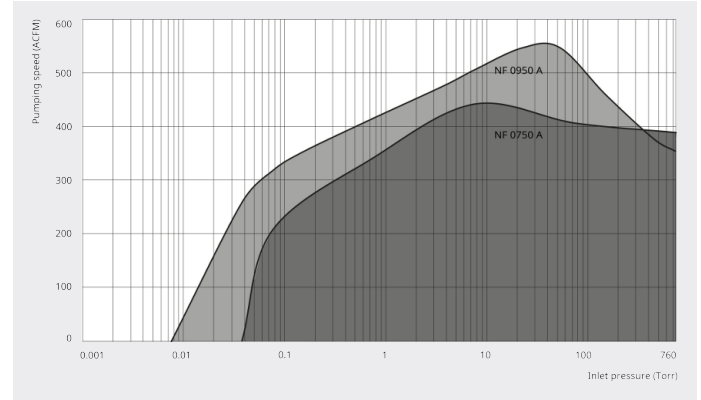
Dimensional drawing



Pumping speed

Air at 70°F. Tolerance: ± 10%

■ Operating range



	COBRA NF 0750 A	COBRA NF 0950 A
Nominal pumping speed	441.4 ACFM	max. 560 ACFM
Ultimate pressure	0.0375 TORR	0.0075 TORR
Nominal motor rating	20.1 HP	25 HP
Nominal motor speed	3600 RPM	4320 RPM
Noise level (ISO 2151)	≤ 66 dB(A)	≤ 69 dB(A)
Weight approx.	1760 Lbs.	1760 Lbs.
Dimensions (L x W x H)	53.0 x 20.7 x 26.9 inches	53.1 x 20.8 x 26.9 inches
Gas inlet / outlet	G3" / 2 x G2" / G3"	G3" / 2 x G2" / G3"

DO YOU WANT TO KNOW MORE?

Get in touch with us directly!
info@buschusa.com or +1 757 463 7800



CONTACT FORM



CALL NOW